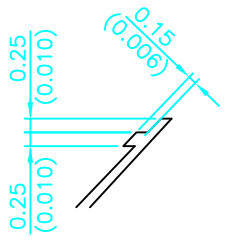
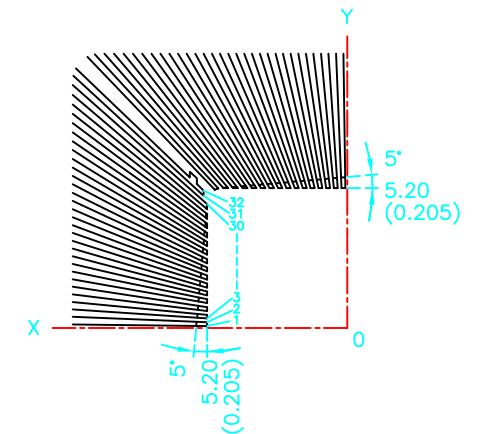
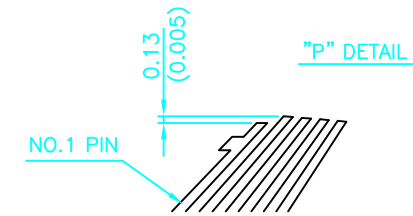


NO.	X or Y	NO.	X or Y
1	0.070 (.003)	17	2.362 (.093)
2	0.208 (.008)	18	2.514 (.099)
3	0.348 (.014)	19	2.669 (.105)
4	0.486 (.019)	20	2.824 (.111)
5	0.627 (.025)	21	2.984 (.117)
6	0.766 (.030)	22	3.143 (.124)
7	0.908 (.036)	23	3.306 (.130)
8	1.048 (.041)	24	3.470 (.137)
9	1.190 (.047)	25	3.638 (.143)
10	1.332 (.052)	26	3.807 (.150)
11	1.477 (.058)	27	3.980 (.157)
12	1.620 (.064)	28	4.154 (.164)
13	1.767 (.070)	29	4.333 (.171)
14	1.912 (.075)	30	4.513 (.178)
15	2.062 (.081)	31	4.698 (.185)
16	2.210 (.087)	32	4.884 (.192)



TARGET MARK
NO.1,33,65,97 PIN



宜特科技股份有限公司
Integrated Service Technology Inc.

TITLE		 GENERAL TOLERANCE			
CERTIFIED FOR CONSTRUCTION		DWG.	DESIGN	CHK.	APPR.
BY _____	BY _____				
DATE _____	DATE _____				
LCYCIC: KPEC:	PROJ. NO.	DWG. NO. CCQ-128S1		REV. 	
FILE NAME:		SCALE:	SHEET		