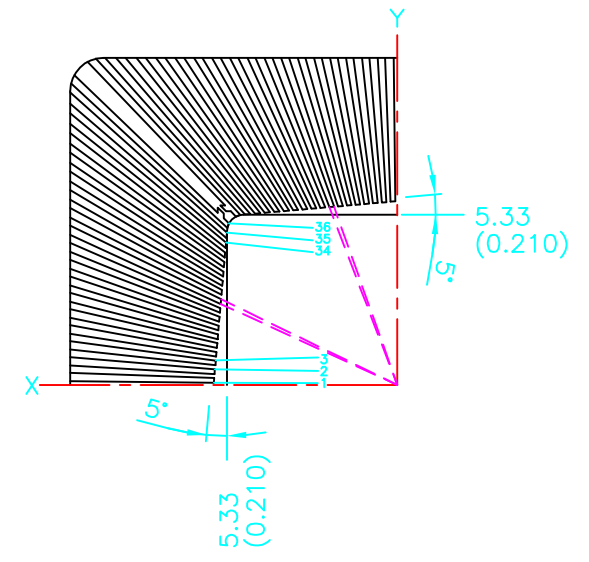


NO	ANGLE	NO	ANGLE
1	0.644	19	24.628
2	2.115	20	25.952
3	3.401	21	27.104
4	4.865	22	28.391
5	6.153	23	29.518
6	7.614	24	30.779
7	8.887	25	31.876
8	10.328	26	33.106
9	11.591	27	34.178
10	13.026	28	35.374
11	14.274	29	36.410
12	15.697	30	37.575
13	16.924	31	38.586
14	18.319	32	39.717
15	19.539	33	40.694
16	20.911	34	41.793
17	22.110	35	42.740
18	23.461	36	43.799



宜特科技股份有限公司
Integrated Service Technology Inc.

TITLE		 GENERAL TOLERANCE			
CERTIFIED FOR CONSTRUCTION		DWG.	DESIGN	CHK.	APPR.
BY _____	BY _____				
DATE _____	DATE _____				
PROJ. NO.		DWG. NO.		REV.	
LCYCIC:		CCQ-144S1			
KPEC:		FILE NAME:	SCALE:	SHEET	