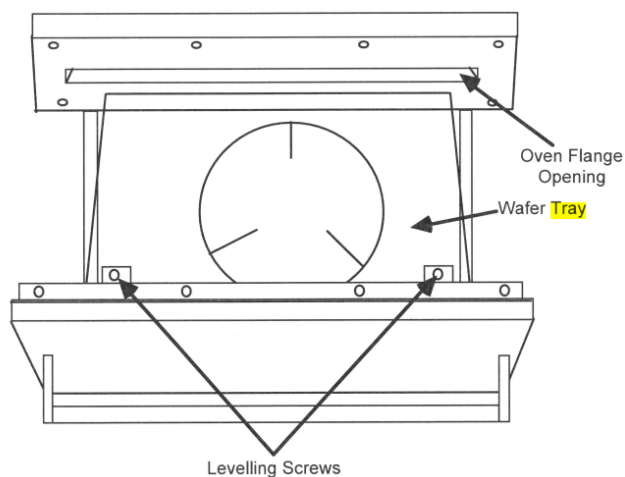


氮化鎵快速熱退火處理設備

Precautions



Precautions for "GaN of Rapid Thermal Annealing Equipment":

a) After the process is over, please be sure to LAMP POWER and MAIN OFF

b) If you use H₂/N₂ gas, please also turn off the gas

If you have any questions, please ask the engineer. If the violation is found, the most severe punishment will be imposed.